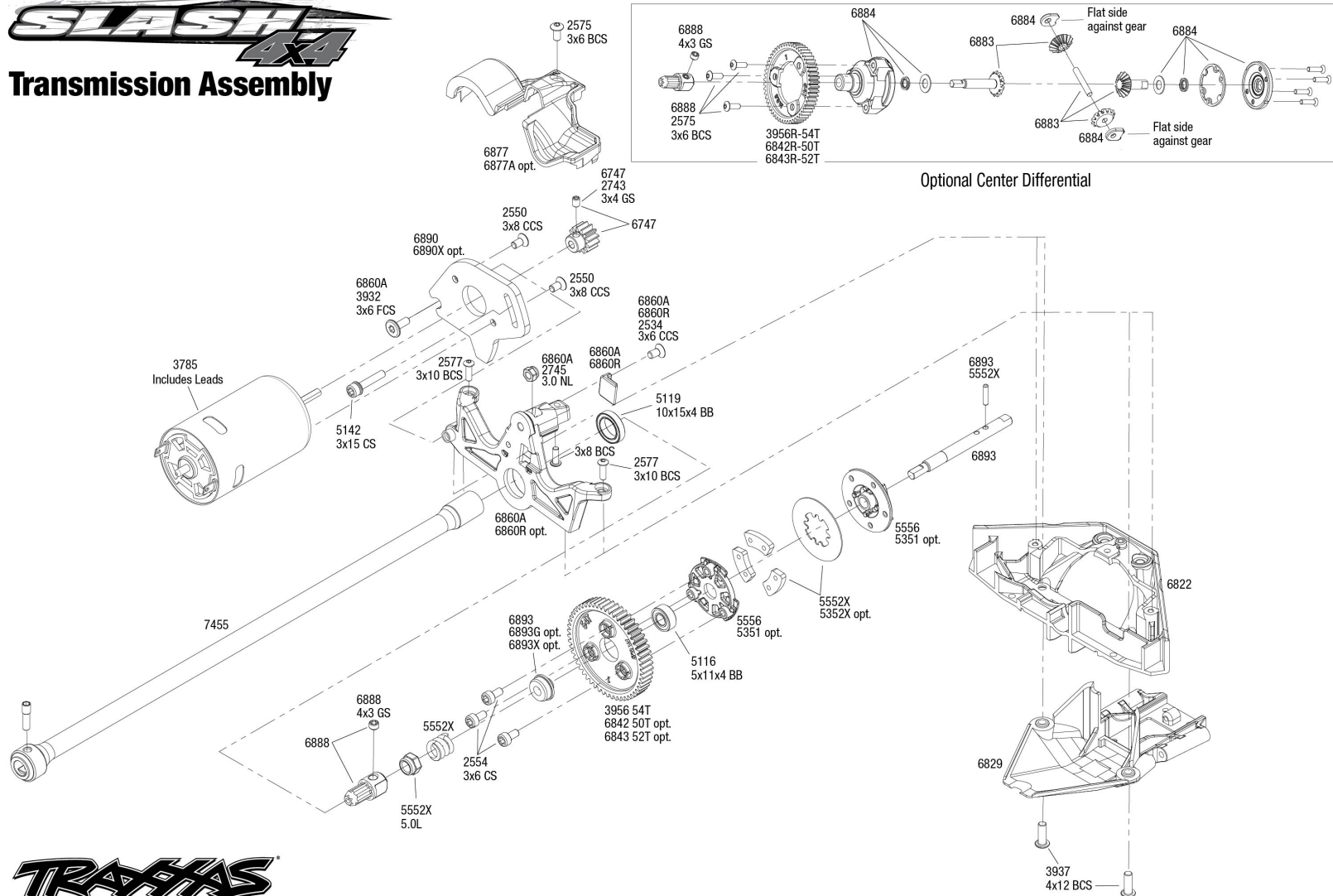


# Slash 4X4 (68054-61) Transmission Assembly Exploded View



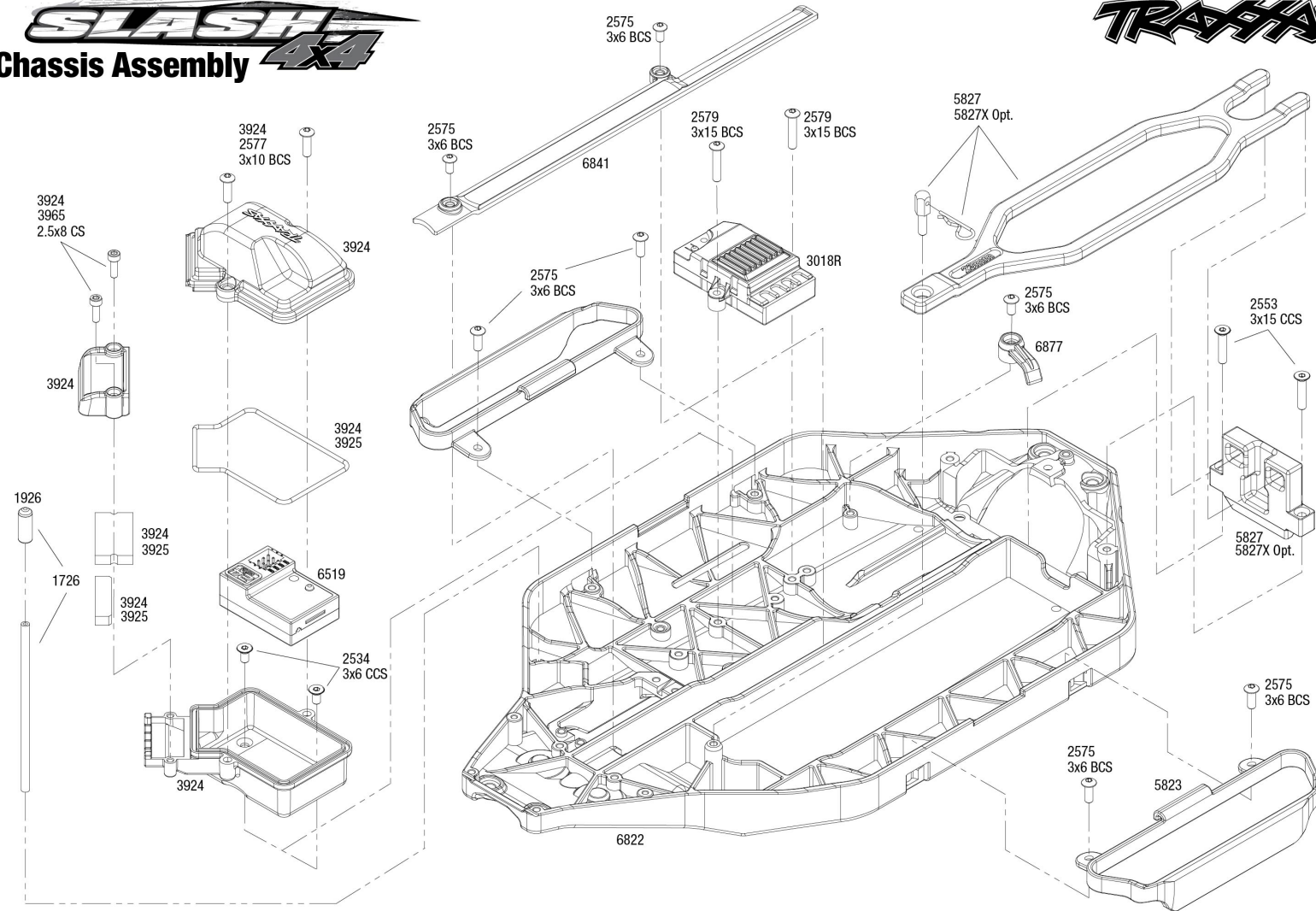
See Parts List for a complete listing of optional accessories.

Specifications on this page are subject to change without notice. Every attempt has been made to ensure the accuracy of this drawing; however, Traxxas cannot be held responsible for typographical errors.

REV 220506-R01



# Slash 4X4 (68054-61) Chassis Assembly Exploded View



Specifications on this page are subject to change without notice. Every attempt has been made to ensure the accuracy of this drawing; however, Traxxas cannot be held responsible for typographical or other errors.

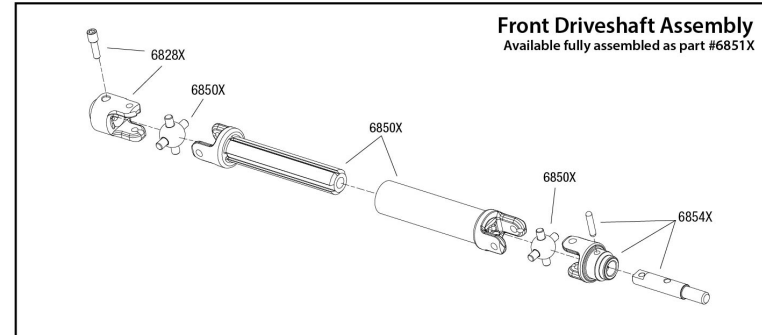
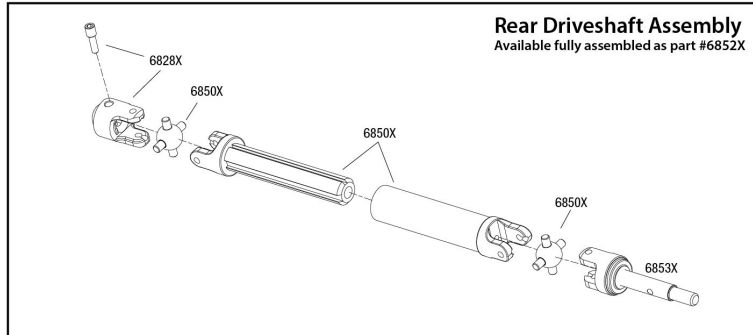
See Parts List for a complete listing of optional accessories.



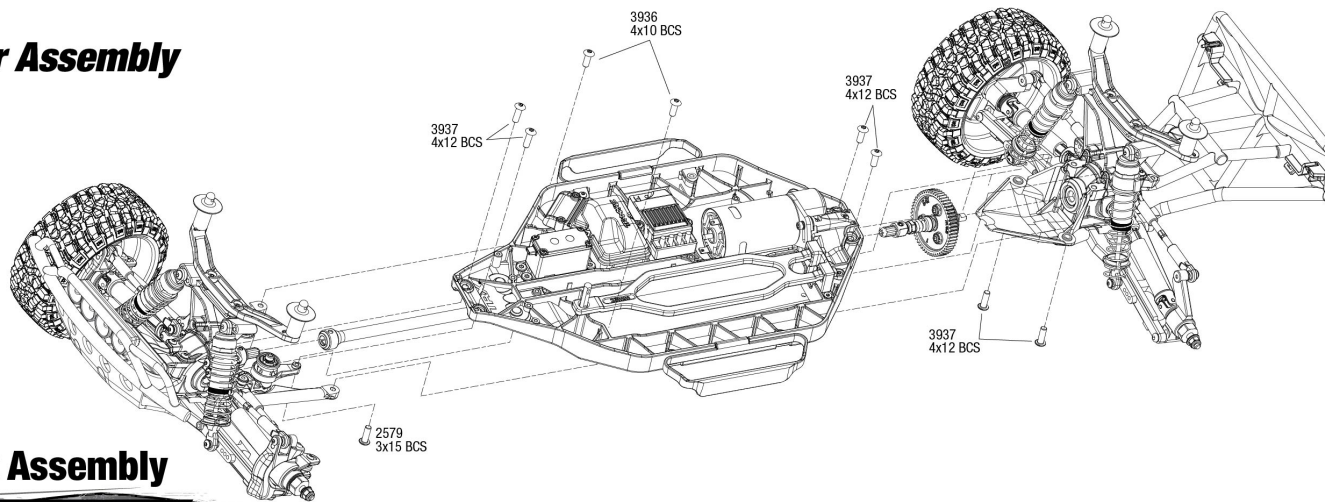
# Slash 4X4 (68054-61) Driveshafts Assembly Exploded View



## Driveshafts



## Modular Assembly



## Driveshaft Assembly



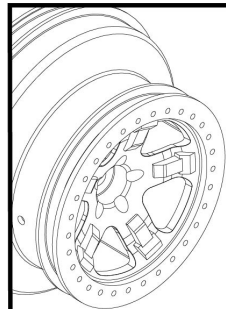
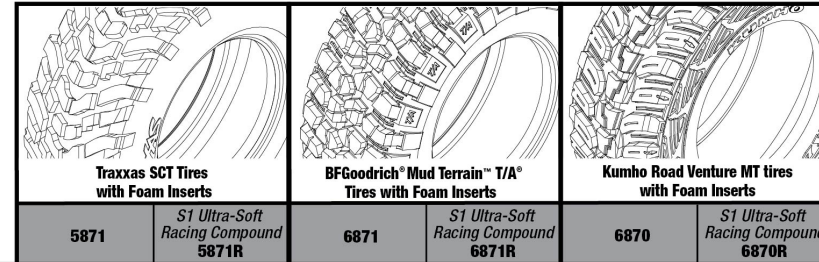
REV 220506-R01  
Specifications on this page are subject to change without notice.  
Every attempt has been made to ensure the accuracy of this drawing; however, Traxxas cannot be held responsible for typographical or other errors. See Parts List for a complete listing of opti



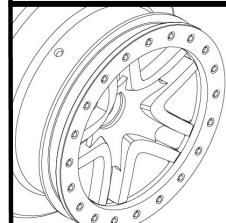




## Slash 4X4 (68054-61) Tire Chart



**Traxxas SCT Wheels**



**Split Spoke Wheels**

Wheels*		Assembled Wheels and Tires		Assembled Wheels and Tires		Assembled Wheels and Tires	
Satin Beadlock/ Satin Wheel - Slash Rear or Slash 4X4 Front/Rear	5872	5873†	-	-	-	-	-
Satin Beadlock/ Satin Wheel - Slash Front	5874	5875	-	-	-	-	-
Red Beadlock/ Satin Wheel - Slash Rear or Slash 4X4 Front/Rear	5872A	5873A	5873R	-	-	-	-
Red Beadlock/ Satin Wheel - Slash Front	5874A	-	-	-	-	-	-
Black Beadlock/ Satin Wheel - Slash Rear or Slash 4X4 Front/Rear	5872X	5873X	-	5878	-	5880X	-
Black Beadlock/ Satin Wheel - Slash Front	5874X	5875X	-	-	-	5881X	-
Red Beadlock/ Chrome Wheel - Slash Rear or Slash 4X4 Front/Rear	5868	-	-	5867	-	-	-
Red Beadlock/ Chrome Wheel - Slash Front	5870	-	-	5869	-	-	-
Blue Beadlock/ Chrome Wheel - Slash Rear or Slash 4X4 Front/Rear	5868A	-	-	5867A	-	-	-
Blue Beadlock/ Chrome Wheel - Slash Front	5870A	-	-	5869A	-	-	-
Green Beadlock/ Chrome Wheel - Slash Front	5866	-	-	5865	-	-	-
Green Beadlock/ Chrome Wheel - Slash Rear or Slash 4X4 Front/Rear	6875	-	-	6876	-	-	-
Orange Beadlock/ Black Wheel - Slash Front	5870X	5864	-	-	-	-	-
Orange Beadlock/ Black Wheel - Slash Rear or Slash 4X4 Front/Rear	5868X	5863†	5863R†	-	-	-	-
Black Beadlock/ Satin Wheel - Slash Rear or Slash 4X4 Front/Rear	6872	-	-	6873†	6873X	6874	6874R
Black Beadlock/ Satin Wheel - Slash Front	5876	-	-	5877	-	5882	5882R
Red Beadlock/ Chrome Wheel - Slash Rear or Slash 4X4 Front/Rear	6872A	-	-	6873A	6873R	-	-
Red Beadlock/ Chrome Wheel - Slash Front	5876A	-	-	5877A	5877R	-	-
Green Beadlock/ Chrome Wheel - Slash Rear or Slash 4X4 Front/Rear Front	6872X	-	-	-	-	-	-
Satin Beadlock/ Black Wheel - Slash Front	5886	-	-	5885	-	-	-
Satin Beadlock/ Black Wheel - Slash Rear or Slash 4X4 Front/Rear	5884	-	-	5883	-	-	-
Blue Beadlock/ Black Wheel - Slash Front	5886A	-	-	5885A	-	-	-
Blue Beadlock/ Black Wheel - Slash Rear or Slash 4X4 Front/Rear	5884A	-	-	5883A	-	-	-

\*Wheels and/or tires sold in pairs  
†TSM rated

REV 220506-R01

Specifications on this page are subject to change without notice.

BFGoodrich and all associated names are trademarks used with permission.  
Distributed under license by Traxxas LP. Copyright © 2022 MNA, Inc. All rights reserved.

Every attempt has been made to ensure the accuracy of this drawing; however, Traxxas cannot be held responsible for typographical or other errors. See Parts List for a complete listing of options.

